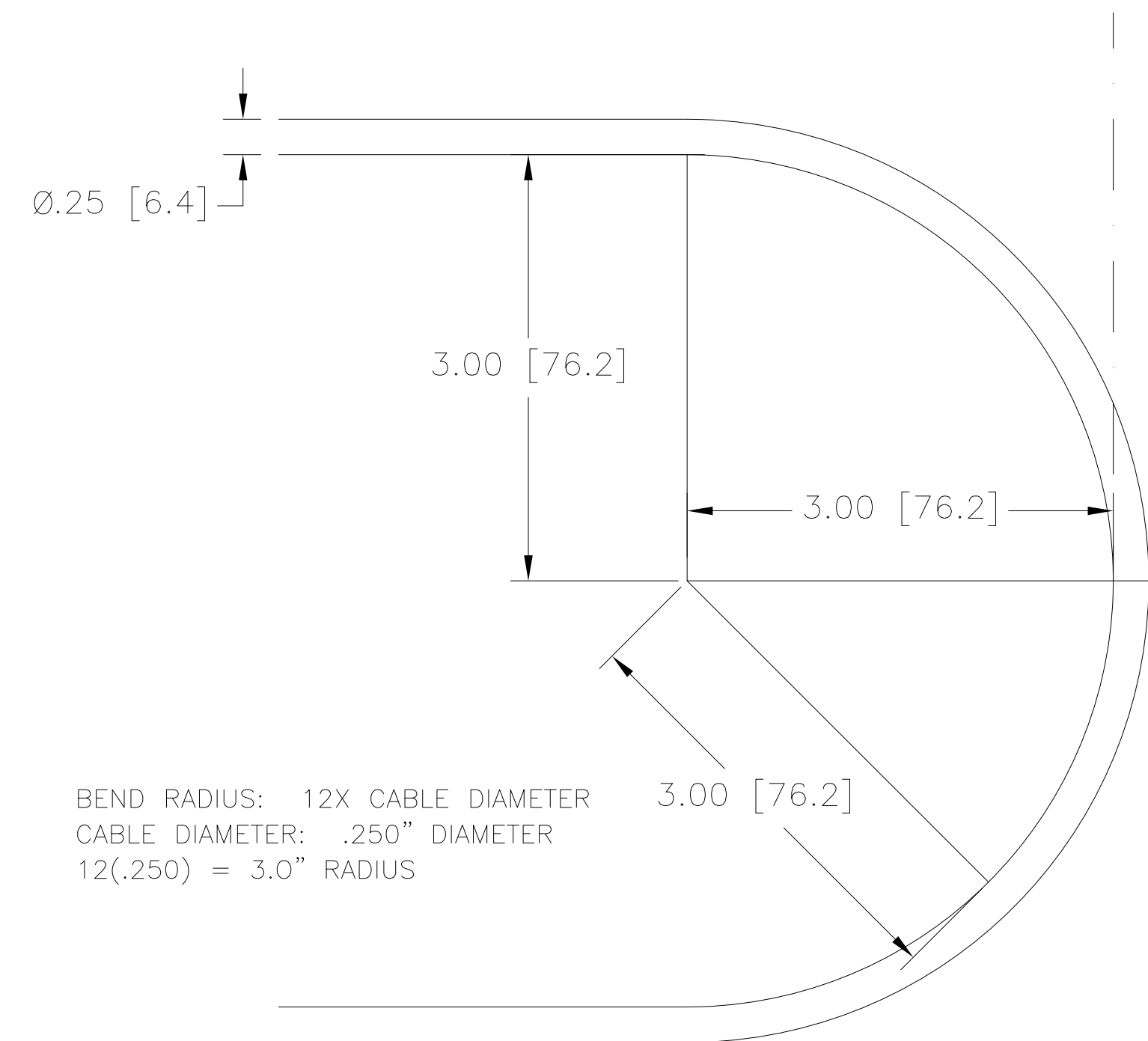
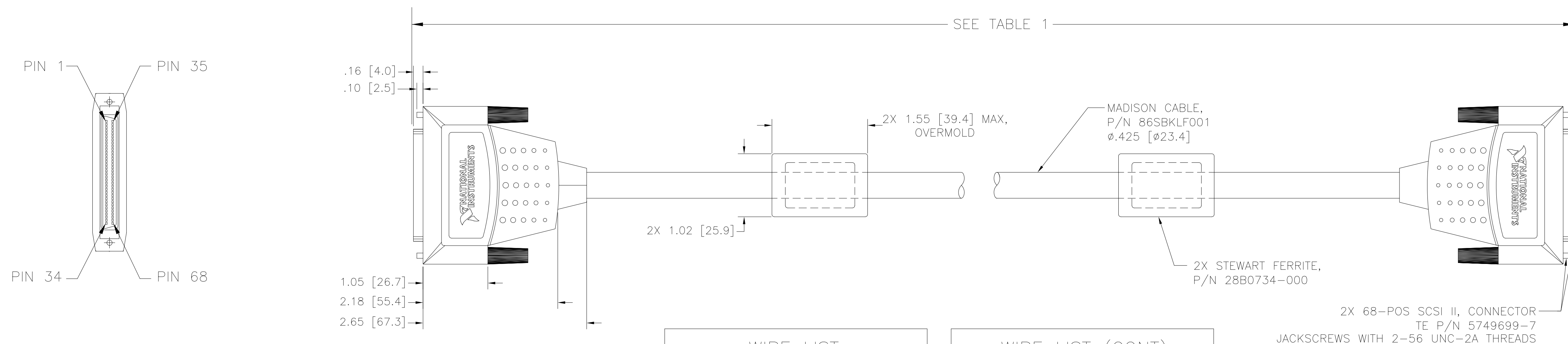


CUSTOMER DRAWING COMPATIBILITY			
REV	DESCRIPTION	DATE	APPROVED
A	DRAWING COMPATIBLE, OBSOLETE		
B	DRAWING COMPATIBLE, OBSOLETE		
C	DRAWING COMPATIBLE, RELEASED		

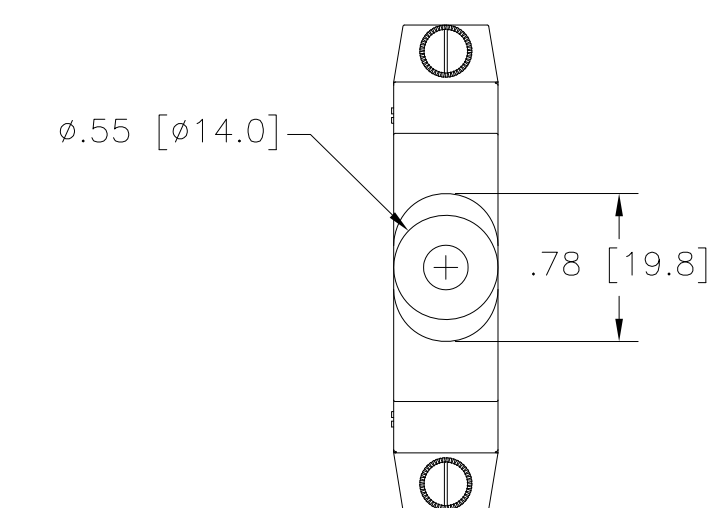
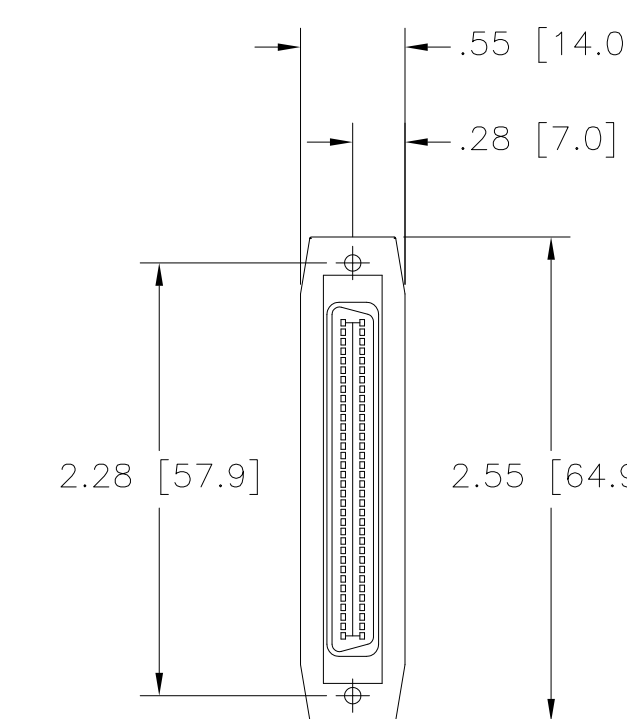
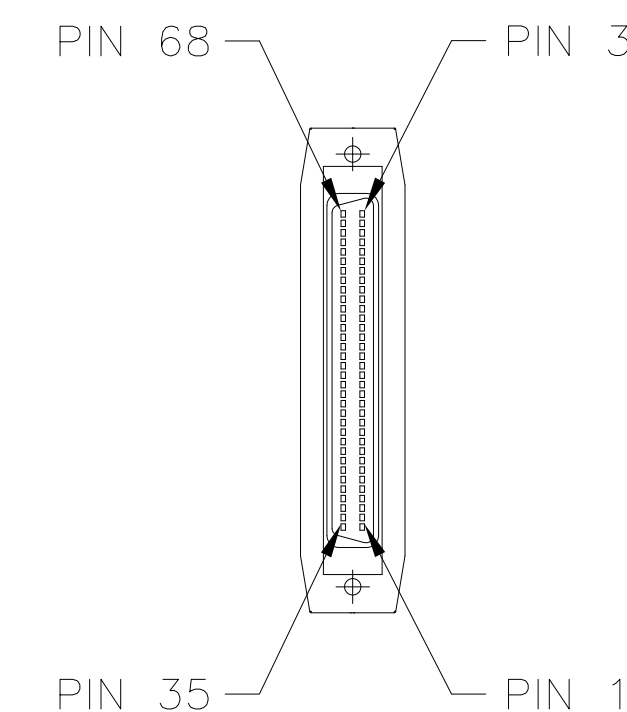


BEND RADIUS: 12X CABLE DIAMETER
 CABLE DIAMETER: .250" DIAMETER
 12(.250) = 3.0" RADIUS

BEND RADIUS EXAMPLE

WIRE LIST		
P1	CABLE	P2
PIN NO	COLOR CODE	PIN NO
34	WHITE/TAN	34
68	TAN/WHITE	68
67	WHITE/BROWN	67
68	BROWN/WHITE	68
32	WHITE/PINK	32
33	PINK/WHITE	33
66	WHITE/ORANGE	66
33	ORANGE/WHITE	33
31	WHITE/YELLOW	31
65	YELLOW/WHITE	65
64	WHITE/GREEN	64
65	GREEN/WHITE	65
29	WHITE/BLUE	29
30	BLUE/WHITE	30
63	WHITE/VIOLET	63
30	VIOLET/WHITE	30
28	WHITE/GRAY	28
62	GRAY/WHITE	62
61	TAN/BROWN	61
62	BROWN/TAN	62
26	TAN/PINK	26
27	PINK/TAN	27
60	TAN/ORANGE	60
27	ORANGE/TAN	27
25	TAN/YELLOW	25
59	YELLOW/TAN	59
58	TAN/GREEN	58
59	GREEN/TAN	59
23	TAN/BLUE	23
24	BLUE/TAN	24
57	TAN/VIOLET	57
24	VIOLET/TAN	24
22	TAN/GRAY	22
55	GRAY/TAN	55
21	BROWN/PINK	21
55	PINK/BROWN	55
54	BROWN/ORANGE	54
20	ORANGE/BROWN	20
53	BROWN/YELLOW	53
20	YELLOW/BROWN	20
52	BROWN/GREEN	52
18	GREEN/BROWN	18
51	BROWN/BLUE	51
18	BLUE/BROWN	18

WIRE LIST (CONT)		
P1	CABLE	P2
PIN NO	COLOR CODE	PIN NO
17	BROWN/VIOLET	17
50	VIOLET/BROWN	50
16	BROWN/GRAY	16
50	GRAY/BROWN	50
15	PINK/ORANGE	15
49	ORANGE/PINK	49
48	PINK/YELLOW	48
49	YELLOW/PINK	49
13	PINK/GREEN	13
14	GREEN/PINK	14
47	PINK/BLUE	47
14	BLUE/PINK	14
12	PINK/VIOLET	12
46	VIOLET/PINK	46
45	PINK/GRAY	45
46	GRAY/PINK	46
10	ORANGE/YELLOW	10
11	YELLOW/ORANGE	11
44	ORANGE/GREEN	44
11	GREEN/ORANGE	11
9	ORANGE/BLUE	9
42	BLUE/ORANGE	42
8	ORANGE/VIOLET	8
42	VIOLET/ORANGE	42
7	ORANGE/GRAY	7
41	GRAY/ORANGE	41
40	YELLOW/GREEN	40
41	GREEN/YELLOW	41
6	YELLOW/BLUE	6
39	BLUE/YELLOW	39
5	YELLOW/VIOLET	5
39	VIOLET/YELLOW	39
4	YELLOW/GRAY	4
37	GRAY/YELLOW	37
38	GREEN/BLUE	38
37	BLUE/GREEN	37
3	GREEN/VIOLET	3
36	VIOLET/GREEN	36
2	GREEN/GRAY	2
36	GRAY/GREEN	36
1	BLUE/VIOLET	1
-	VIOLET/BLUE	-
SHELL	OUTER SHIELD	SHELL



LENGTH	TOLERANCE
<2M	+5 CM/-0 CM
2 TO 5M	+10 CM/-0 CM
>5M	+15 CM/-0 CM

CONDUCTOR SPECIFICATIONS:

CONDUCTOR: 30AWG 7/38 TIN PLATED COPPER, .012 INCH DIAMETER
 INSULATION: .008 INCHES OF POLYPROPYLENE, .028 INCH DIAMETER
 BEND RADIUS: 12X CABLE DIAMETER (SEE EXAMPLE) PER SPECIFICATIONS
 2014 NEC SECTION 300.34 CONDUCTOR BEND RADIUS
 2014 NEC SECTION 300.24 BENDING RADIUS

1. REFER TO PRODUCT MANUAL ON NI.COM FOR MORE DETAILS.

NOTES: UNLESS OTHERWISE SPECIFIED.

CUSTOMER DRAWING

UNLESS OTHERWISE SPECIFIED DIMENSIONS ARE IN INCHES AND [MILLIMETERS]	NATIONAL INSTRUMENTS® AUSTIN, TEXAS
DO NOT SCALE DRAWING THIRD ANGLE PROJECTION	SIZE CODE IDENT NO. DRAWING NO. D 7U296 10/05/16
	SCALE: 1/1 SHEET 1 OF 1